

HTM

PLF2010 AC POWER LINE FILTER

INTRODUCTION

Electrical surges induced in power distribution system due to lightning, electrical faults and switching of electrical equipment etc can cause destructively high voltage transients which will damage electronic equipment connected to the system. HTM PLF2010 AC power line filter is a versatile, low cost and compact power line filter that is used to provide final stage of surge protection for electrical and electronic equipment that connect directly to the AC power supply. The unit is housed in a flanged, easy to install ABS enclosure with standard plug and sockets for direct connection to equipment.



PRINCIPLE OF OPERATION

HTM PLF2010 consists of a three pole gas discharge tube in series with a proprietary power line filter module. It is embedded in a pleasing and convenient enclosure to achieve effective filtering of power surge and noises induced by lightning or electrical switchings in the power line connected. When an electrical surge is detected in the incoming power line, the gas discharge tube connected between the two lines and earth will conduct the high voltage transients to the earth for a very short interval. The resultant spikes in the incoming surge is then filtered through the proprietary filter module which effectively smoothed the output to acceptable levels for effective protection.

FEATURES

High surge rating

HTM PLF2010 power line filter incorporates a 3 pole 20kA rated gas discharge tube which enables high discharge of surge current to earth in the event of serious lightning.

High load current rating

The high capacity of the proprietary filter module embedded in the unit enables the HTM PLF2010 power line filter to provide a continuous load current of up to 10A without any problem throughout its lifespan.

Effective noise filtering

The proprietary filter module is manufactured by a world leader in electronic filter which has long proven performance records. The module incorporated has been specially selected based on its performance in noise filtering.

Convenient fixing enclosure

HTM PLF2010 power line filters are low cost & yet reliable AC power line filters that are designed to be easily installed in any working environment. They can be wall mounted or simply left on the working tables where power point is connected to. No special tool is required.

Humidity/Dew Immunity

The major electronic components of PLF2010 power line filters are potted with potting compound. This eliminates the risk of electronic failure due to humidity and short circuit of internal components.

High service life

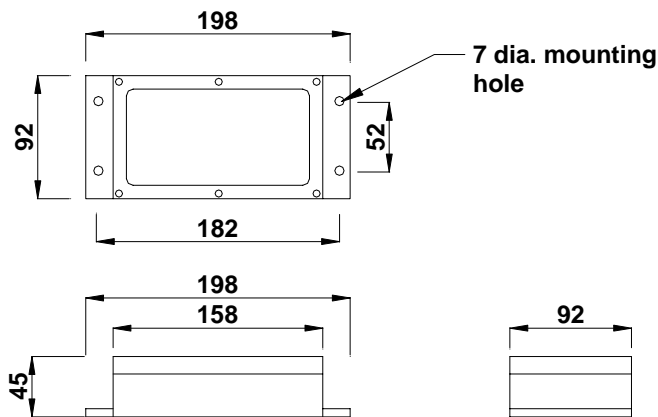
The main component of HTM PLF2010 power line filters consists of filters of reputable make which have low MTBF of up to 1,250,000 hours. High service life can be expected.

SPECIFICATIONS

Type : single phase, 2W + E
Max. cont. operating voltage : 250VAC
50/60Hz
Current rating at 40°C : 10A
Operating frequency : DC to 400Hz
Max. surge current : 20kA @8/20 μ s L/N-E
(40kA @8/20 μ s for min. 1 operation) according to ANSI/IEEE C62.41-1980
Protection mode : single & differential
Impulse transverse delay @1000V/ μ s : <75ns
DC sparkover +/-20% @ 100V/s : 400V
Impulse sparkover @ 100V/ μ s : 675V
DC holdover volatage : 135V < 150ms
Maximum leakage current : 0.4mA/phase
Inductance : 0.8mH

Capacitance : Cx = 0.1 μ F
Cy = 4.7nF
Resistance : 1M Ω
MTBF : 1,250,000 hours
Casing material : ABS
Inlet : 13A UK main plug
Outlet : 2X13A UK switch trailing socket
Operating temperature : -25°C to 70°C
Relative humidity : 0 –95% non-condensing
Dimensions : 198 X 92 X 45 (mm)
Weight : main unit 550g, trailing socket 400g
Cord length : 2 X 400mm
Mounting: 4 X 7mm dia. holes for panel mounting

DIMENSIONS



All Rights reserved

Manufactured by :

HTM Instruments Sdn Bhd (Company No 687564-T)
29, Jalan SG 10/4, Taman Seri Gombak,
68100 Batu Caves, Selangor, Malaysia.