



SS150 STAINLESS STEEL LIQUID FILLED PRESSURE GAUGE

INTRODUCTION

TRENT SS150 stainless steel liquid filled pressure gauges are high quality bourdon tube pressure gauges with sealed cases which are specially designed for installation in water supply systems. They are especially suitable for use in pumping stations which demand robust gauges under severe working environment.

APPLICATIONS

TRENT SS150 stainless steel liquid filled pressure gauges are purposely designed gauges for measurement of pressure in water supply systems. Typical applications include measurement of suction & discharge pressures of pumpsets. Standard gauges are calibrated in meter wg, for direct reading of pumping head without conversion. In addition, the liquid glycerin filled in the gauges is to stand vigorous pulsation induced in the pipeline due to vibration of pumps. The gauges are also suitable for use on air, oils and other fluids compatible with stainless steel. Combined pressure & vacuum gauges can be supplied to indicate vacuum relative to atmospheric pressure.

FEATURES

All wetted parts & casing of TRENT SS150 stainless steel liquid filled pressure gauges are manufactured from stainless steel. The casings are completely sealed and all the internal components are completely filled with liquid glycerin. Hence, lubricating & preventing corrosion to all the internal parts for optimum performance.

Scale calibrations:

All gauges are calibrated in Mwg for direct reading of pressure head in water supply systems.



Working temperature:

TRENT SS150 stainless steel liquid filled pressure gauges are designed to work optimally at ambient temperature. They should not be exposed to excessive heat or cold since this cause them to indicate incorrectly. In the case of application in hot fluid, pressure gauge should be mounted at some distance from the tapping point with sufficient length of tubing or syphon in between to cool down the fluid.

Working pressure:

The ranges of TRENT SS150 stainless steel liquid filled pressure gauges are designed specifically for water supply pumping system. It is recommended that the working pressure should not be more than 65% of the maximum scale value for fluctuating pressures or 75% for steady pressures. Pressure gauges must not be subjected to overload or repeatedly used to the limit of their calibration as the bourdon tube may take a permanent set which will result in an error in pressure indication.

SPECIFICATIONS

Materials of construction:

Wetted parts: Stainless steel 304
Case & bezel: Stainless steel 304
Window: Instrument Glass
Dial & pointer: Aluminum
Enclosure rating: IP68

Working temperature:

20°C to 40°C. A shift of up to 10% over 40°C change can be expected.

Working mediums:

Water, air, oil or liquids compatible with stainless steel 304.

Standard ranges:

-10/0/+10Mwg, 0/70Mwg, 0/100Mwg

Accuracy:

TRENT SS150 stainless steel liquid filled pressure gauges are normally supplied to commercial accuracy laid down in BS1780 which shall be $\pm 1.00\%$ F.S between 10 to 90% of range and $\pm 1.50\%$ F.S for the rest of the scale.

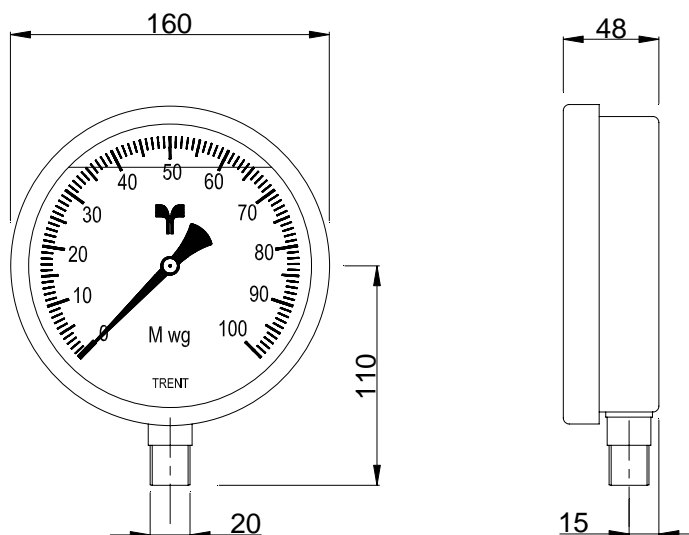
INSTALLATION

TRENT SS150 stainless steel liquid filled pressure gauges are furnished in direct mounting with $\frac{1}{2}$ "BSPT bottom connection.

ACCESSORIES

$\frac{1}{2}$ " BSPT stainless steel snubber
 $\frac{1}{2}$ "BSPT stainless steel needle valve

Dimensions



All dimensions in mm

All Rights reserved

Manufactured by :

HTM Instruments Sdn Bhd (Company No 687564-T)
29, Jalan SG 10/4, Taman Seri Gombak,
68100 Batu Caves, Selangor, Malaysia.